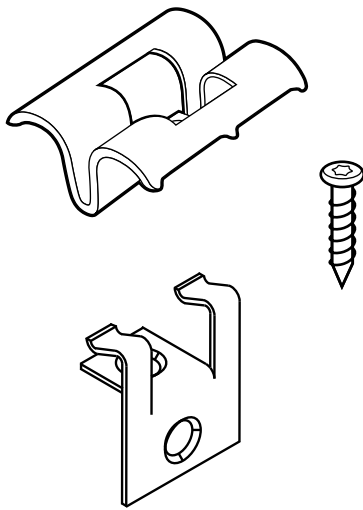


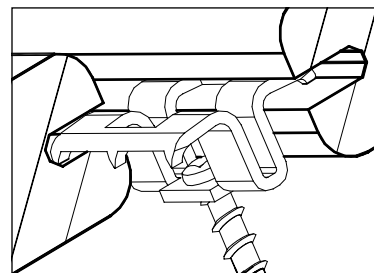
MOSO® bamboo x-treme® accessories



MOSO® fasteners and screws

With these fasteners MOSO® Bamboo X-treme® decking and cladding can be easily installed. When installed correctly there will be 5-6mm gaps between the boards. The fasteners are supplied with matching stainless steel screws (square bit). For installation on aluminium sub beams (not provided by MOSO®), special screws are available.

Product Code	Item	Material	Colour	Dimensions (mm)
CLIP-SCREW-BX03	Fastener (20mm)	Stainless steel A2 (AISI304)	Brown	27x22.5x10.8
	Screw	Stainless steel A2 (AISI304)	Brown	4.5x30
CLIP-SCREW-BX301	Fastener starter/end (20mm)	Stainless steel A2 (AISI304)	Brown	27x17x31
	Screw	Stainless steel A2 (AISI304)	Brown	4.5x30
SCREW-03-01	Screw for aluminium sub beams	Stainless steel (AISI410)	Brown	4.2x16
CLIP-SCREW-BX04	Fastener (18mm)	Stainless steel A2 (AISI304)	Brown	27x22.5x9.8
	Screw	Stainless steel A2 (AISI304)	Brown	4.5x30



recommended number of fasteners/m²

decking*

137 mm
-20 pcs/m²

155 mm
-17 pcs/m²

178 mm
-14 pcs/m²

cladding**

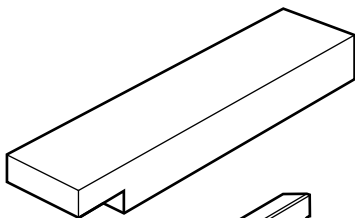
137 mm
-14 pcs/m²

*) Based on distance of 462.5 mm between the sub beam axes.

**) Based on distance of 600 mm between the sub beam axes.

sub frame joists

The MOSO® Bamboo X-treme® sub frame joists are made of the same material as the decking boards: High Density® heat treated bamboo.



Product Code	Material	Finish	Dimensions (mm)
BO-SB150	High Density® heat treated bamboo	Unfinished	2440x70x40
BO-SB155	High Density® heat treated bamboo	Unfinished	2440x60x40

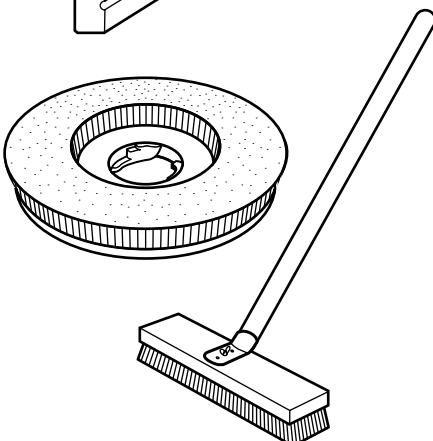
endprofile

The BO-DTHT162 is an endprofile for an elegant finish of the sides of the decking. It is placed vertically against the sides of the terrace to cover the sub frame.

Product Code	Material	Finish	Dimensions (mm)
BO-DTHT162	High Density® heat treated bamboo	Unfinished	1850x137x20

maintenance & cleaning

Under the influence of wind, rain, sun and snow the decking will weather. MOSO® recommends to impregnate and maintain the pre-oiled decking with Woca Maintenance materials. Unfinished decking must be treated with Sikken's Saturator or Woca oil right after installation. The silicium carbid broom and machine disk are perfectly suited to clean and smooth the decking surface of Bamboo X-treme® and to remove splinters due to the capability to sand the surface in addition to cleaning it.



Product Code	Material
Wax-bx-01	Wax for headsides X-treme
Oil-Woca-003	WOCA Maintenance Oil Natural
Oil-Woca-011	WOCA Exterior Oil Exclusive Teak
Cleaner-Woca-01	WOCA Exterior Cleaner
SATURATOR-SIK01	SIKKENS Saturator Ipe
SATURATOR-SIK11	SIKKENS Saturator Transparent
Broom-01	Silicium carbid broom
Disk-01	16" Silicium carbid disk